

Masport[®] Heating

FREESTANDING WOOD FIRES

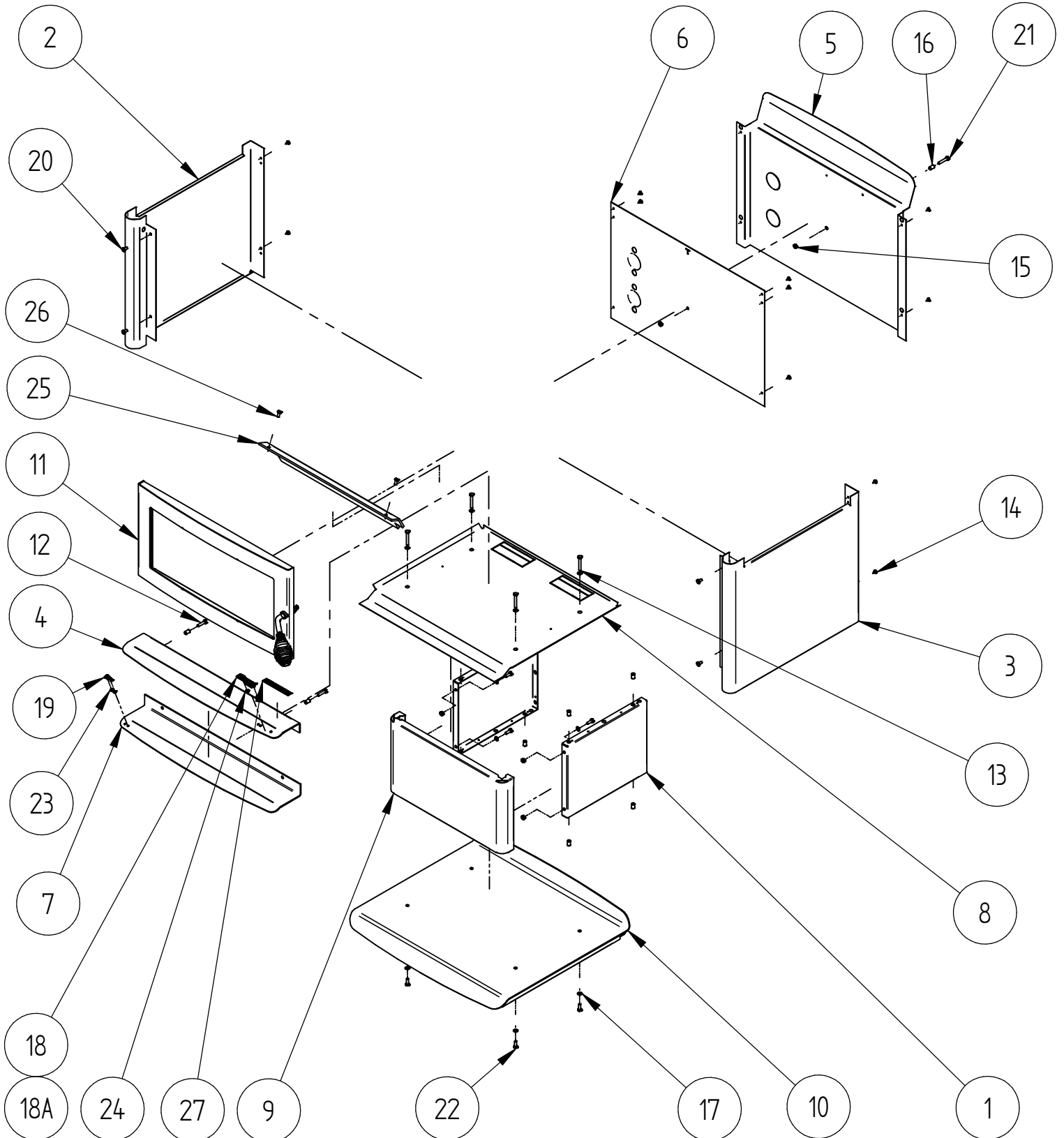
KRONOS CLEAN AIR - AUSTRALIA

Item No.	MARKET	FUEL TYPE	FINISHING	YEAR	FAN
KRRHWBK*	AU	HARDWOOD	Metallic Black VHT Paint	APR-2011	No
992908				FEB-2008	

*LOGAIRE BRAND



PANELS, DOOR AND PEDESTAL

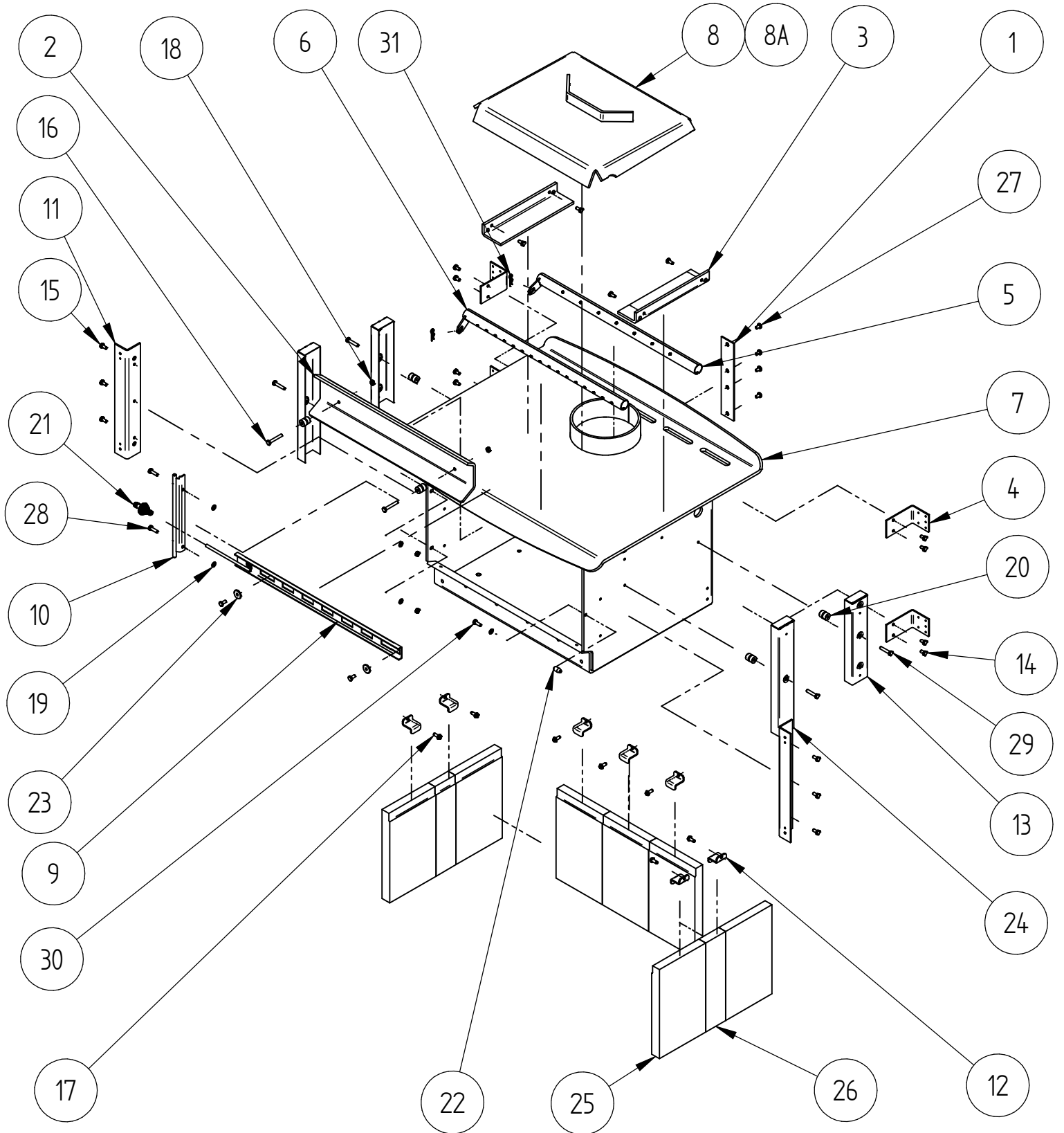


When ordering PLEASE QUOTE PART ID, MODEL Number & DESCRIPTIONS, NOT ITEM Number
determining left hand side from viewing position

PANELS, DOOR AND PEDESTAL					
Item	Part ID	Model(s)		Description	Qty
		KRRHWBK	992908		
1	ATN00178	V02	V02	ATN PEDESTAL SIDES	2
2	KRM00006	V02	V02	KRM L/H SIDE PANEL	1
3	KRM00007	V02	V02	KRM R/H SIDE PANEL	1
4	KRR00011	V02	V02	KRR ASH LIP TOP	1
5	KRR00012	-	-	KRR BACK PANEL	1
6	KRR00038	-	-	KRR REAR HEAT SHIELD	1
7	KRR00095	V02	V02	KRR ASH LIP BOTTOM	1
8	KRR00176	-	-	KRR BASE HEAT SHIELD	1
9	KRR00177	V02	V02	KRR PEDESTAL FRONT	1
10	KRRAC025	V02	V02	KRR PEDESTAL BASE ASSEMBLY	1
11	KRRAC730	V02	V02	KRR DOOR ASSEMBLY	1
12	521058	-	-	SCREW; M6X25 HEX ZP	2
13	521077	-	-	SCREW; M6X40 HEX ZP	4
14	521627	-	-	SCREW; S/T 8GX3/8" MUSH FLANGE POZI BLK	14
15	522117	-	-	NUT; HEX STD M6 ZP	6
16	522611	-	-	NUT; RIVNUT THN/SHT M6X13.5	11
17	523031	-	-	WASHER; FLAT M6 ZP	12
18	587835	-	-N/A.-	BADGE MASPORT HEATING	1
18A	MIC00740	-N/A.-	-	BADGE LOGAIRE	1
19	MIC00744	-	-	MIC HILO BADGE	1
20	521046	-	-	SCREW; M6X10 PAN POZI ZP	4
21	521059	-	-	SCREW; M6X30 HEX ZP	1
22	521076	-	-	SCREW; M6X16 HEX ZP	8
23	526008	-	-	CLIP; STARLOCK M3	2
24	526001	-	-	CLIP; STARLOCK 4 DIA SLP04	2
25	KRRHW126	-	-	KRRHW LOWER PLATE	1
26	521075	-	-	SCREW; M6X12 HEX ZP	2
27	595695	-	-	DECAL "BURN ONLY" COMBINED NZ/AUS	1

When ordering PLEASE QUOTE PART ID, MODEL Number & DESCRIPTIONS, NOT ITEM Number
determining left hand side from viewing position

AIRSLIDE, BAFFLE, BRICKS AND FIREBOX

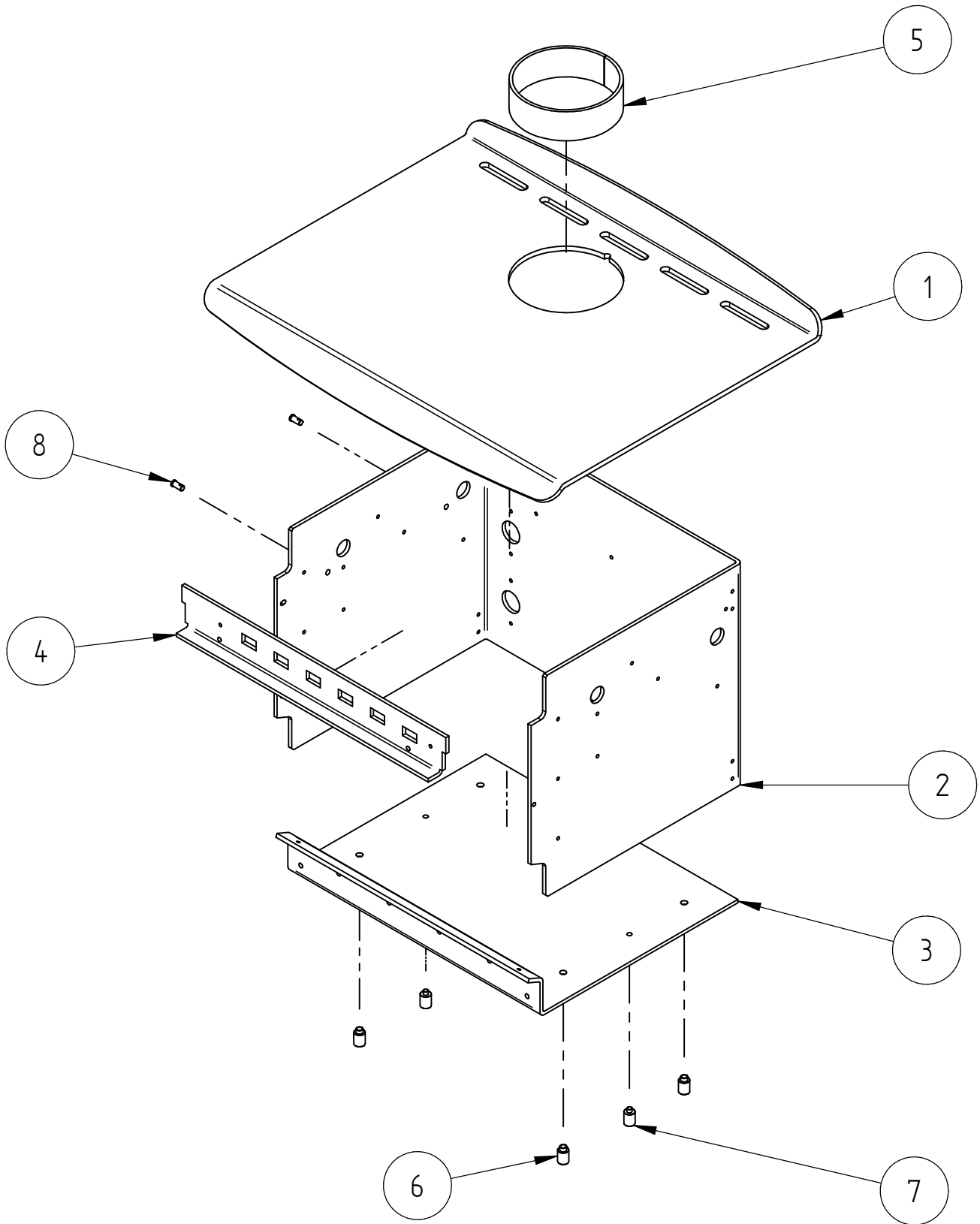


When ordering PLEASE QUOTE PART ID, MODEL Number & DESCRIPTIONS, NOT ITEM Number
determining left hand side from viewing position

AIRSLIDE, BAFFLE, BRICKS AND FIREBOX					
Item	Part ID	Model(s)		Description	Qty
		KRRHWBK	992908		
1	AIB00135	-	-	AIB WATER BOOSTER COVER PLATE	1
2	KRR00102	-	-	KRR AIR DEFLECTOR	1
3	KRR00116	-	-	KRR BAFFLE SUPPORT	2
4	KRR00130	-	-	KRR REAR BODY MOUNT BRKT	4
5	KRR00136	-	-	KRR REAR AIR BAR ASSEMBLY	1
6	KRR00138	-	-	KRR FRONT AIR BAR ASSEMBLY	1
7	KRRHWAC4	-	-	KRR HW FIREBOX ASSEMBLY	1
8	KRRHWAC109	-N/A-	-	KRR HW BAFFLE ASSEMBLY	1
8A	993080	V02	-N/A-	KRR BAFFLE WELDED	1
9	KRRHW036	-	-	KRRHW AIRSLIDE	1
10	MICAC190	-	-	MIC DOOR HINGE ASSEMBLY	1
11	MIR00183	-	-	MIR DOOR RIDDLE	2
12	HBA00118	-	-	HBA BRICK RETAINER	7
13	HCA00164	-	-	HCA SEC AIR CHANNEL	2
14	521043	-	-	SCREW; M6X10 HEX ZP	8
15	521075	-	-	SCREW; M6X12 HEX ZP	12
16	521077	-	-	SCREW; M6X40 HEX ZP	2
17	521632	-	-	SCREW; S/T M6X15 HEX FLANGE NIC TAPTITE	7
18	522117	-	-	NUT; HEX STD M6 ZP	4
19	523031	-	-	WASHER; FLAT M6 ZP	5
20	HBA00129	-	-	HBA AIR DEFLECTOR SPACER	6
21	LAR00375BK	-	-	LAREDO AIR CONTROL HANDLE	1
22	MIC00079	-	-	LOGAIRE CATCH PIN	1
23	MIC00083	-	-	LOGAIRE METRO AIR SLIDE SPACER	2
24	MIC00123	-	-	MIC SEC AIR CHANNEL	2
25	MIC00354	-	-	MIC BRICK	7
26	MIC00355	-	-	MIC BRICK HALF	2
27	521046	-	-	SCREW; M6X10 PAN POZI ZP	4
28	521054	-	-	SCREW; M6X20 HEX ZP	2
29	521059	-	-	SCREW; M6X30 HEX ZP	4
30	521076	-	-	SCREW; M6X16 HEX ZP	1
31	526101	-	-	CLIP; R-CLIP 1.8 DIA ST	2

When ordering PLEASE QUOTE PART ID, MODEL Number & DESCRIPTIONS, NOT ITEM Number
determining left hand side from viewing position

FIREBOX DETAILS

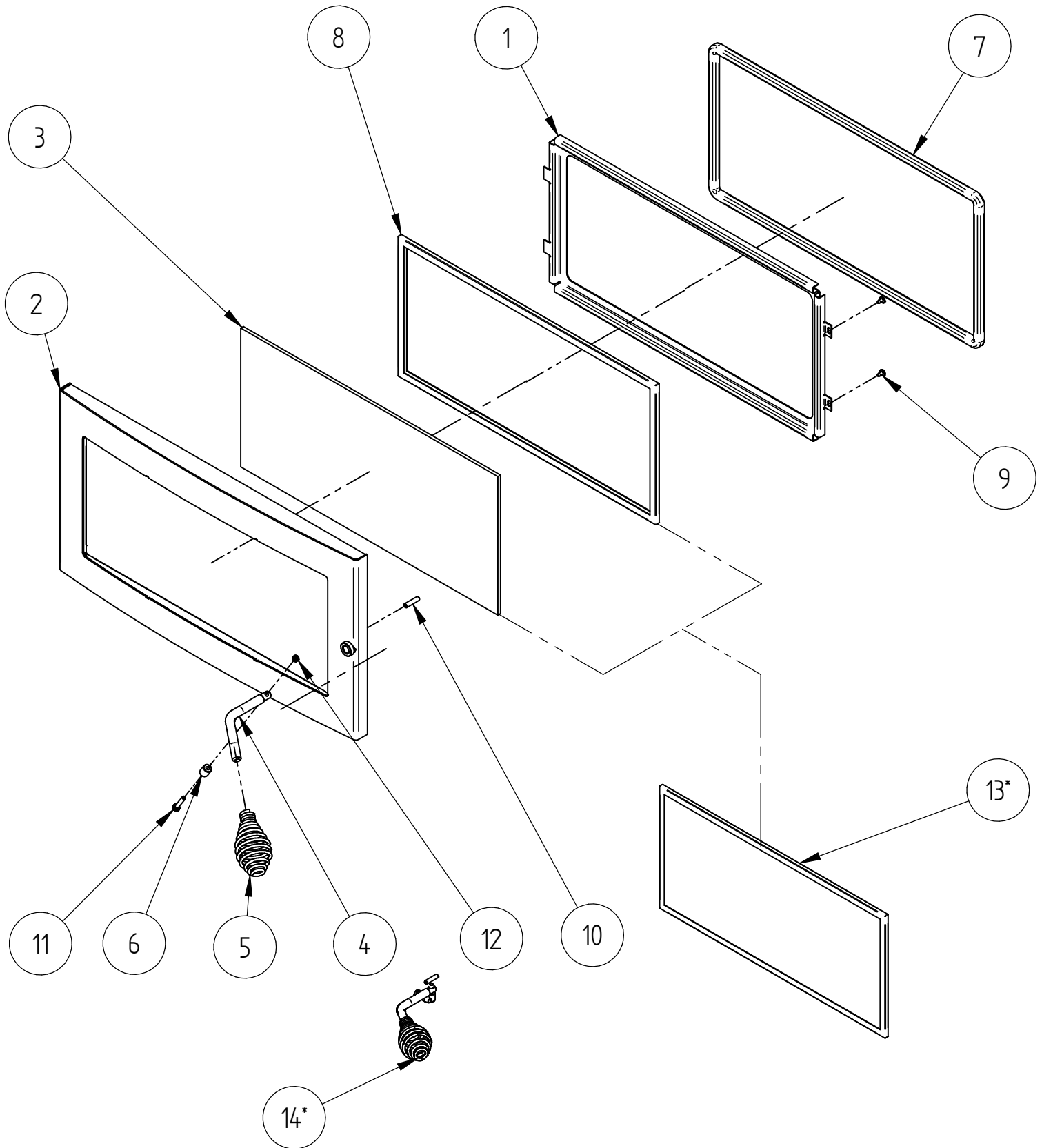


When ordering PLEASE QUOTE PART ID, MODEL Number & DESCRIPTIONS, NOT ITEM Number
determining left hand side from viewing position

FIREBOX DETAILS: KRRHWAC4					
Item	Part ID	Model(s)		Description	Qty
		KRRHWBK	992908		
1	KRR00001	-	-	KRR TOP PLATE	1
2	KRR00106	-	-	KRR FIREBOX WRAP	1
3	KRRHW107	-	-	KRR HW FIREBOX BASE	1
4	KRR00108	-	-	KRR FIREBOX FRONT	1
5	MET00120	-	-	SPIGOT	1
6	MET00429	-	-	FIREBOX BUSH - SPIGOTED	4
7	ATN00129	-	-	HEAT SHIELD SPACER	2
8	MIC00137	-	-	MIC AIRBAR PIN	2

When ordering PLEASE QUOTE PART ID, MODEL Number & DESCRIPTIONS, NOT ITEM Number
determining left hand side from viewing position

DOOR ASSEMBLY



When ordering PLEASE QUOTE PART ID, MODEL Number & DESCRIPTIONS, NOT ITEM Number
determining left hand side from viewing position

DOOR ASSEMBLY					
Item	Part ID	Model(s)		Description	Qty
		KRRHWBK	992908		
		KRRAC730V02			
1	PFS00034	-	-	PFS GLASS RETAINER	1
2	KRRAC030	V02	V02	KRR ROUNDED DOOR	1
3	PFS00204	-	-	PFS GLASS	1
4	KRR00373	V02	V02	KRR DOOR LEVER	1
5	KRR00376BK	-	-	KRR DOOR HANDLE	1
6	PYR00461	-	-	PYR HANDLE ROLLER	1
7	C16MMDR	-	-	DOOR ROPE 16MM X 50m ROLL (MTR)	1
8	C25MMLT	-	-	LADDER TAPE 25x3x50m ROLL (MTR)	1
9	521627	-	-	SCREW; S/T 8GX3/8" MUSH FLANGE POZI BLK	2
10	521704	-	-	SCREW; GRUB M6X25 ALLEN BLK	1
11	521805	-	-	SCREW; CAP M5X25 ALLEN BLK	1
12	522901	-	-	NUT; BINX M5 ZP	1
13*	PFSAC204	-	-	PFS GLASS/TAPE SPARE KIT	1
14*	KRRACDH	-	-	KRONOS DOOR HANDLE ASSEMBLY KIT	1

*Optional Sale Kit

NOT ILLUSTRATED					
Item	Part ID	Model(s)		Description	Qty
		KRRHWBK	992908		
1	593286	-N/A.-	-	OWNER MANUAL WOODFIRES 2010	1
2	593287	-N/A.-	-	INSTALL MANUAL WOODFIRES 2010	1
3	KRRHWBRICK	-N/A.-	-	KRONOS CA HW BRICK LAYOUT	1
4	KRRM0738	-N/A.-	-	KRR KRRHW DATA SHEET MASPORT	1
5	KRR00738	-	-N/A.-	KRR KRRHW DATA SHEET MASPORT	1
6	MIC00739	-	-N/A.-	LOGAIRE OPERATION MANUAL	1

SURFACE FINISH CODES FOR PANELS

VITREOUS ENAMEL		VHT PAINT(Very High Temp)			POWDER COAT	
E01	MATT BLACK	V02	P-000022	METALLIC BLACK	P02	MATT BLACK
E02	GLOSS BLACK	V03	P-000043	CHARCOAL	P03	CHARCOAL
E03	CHARCOAL	V04	P-000081	TITANIUM	P05	SATIN BLACK
		V05	P-000051	CHARCOAL (DAM MET BLK)	P09	METTALIC BLACK
		V06	P-000052	METALLIC BLACK ZINC		

LESS FREQUENTLY OR OLD SURFACE FINISH CODES FOR PANELS

VITREOUS ENAMEL			VHT PAINT(Very High Temp)		POWDER COAT	
E04	JASMINE	V01		SATIN BLACK HIGH TEMP	P01	BLUE/BLACK
					P04	GLOSS CHARCOAL
					P07	FLAT BLACK

When ordering PLEASE QUOTE PART ID, MODEL Number & DESCRIPTIONS, NOT ITEM Number
determining left hand side from viewing position